

# Screwdriver - SF-PZSL 2-100 S-VDE



1212700

<https://www.phoenixcontact.com/us/products/1212700>

Please be informed that the data shown in this PDF document is generated from our Online Catalog. Please find the complete data in the user documentation. Our General Terms of Use for Downloads are valid.



Screwdriver, positive/negative PZ/bladed, VDE insulated, size: PZ 2 x 100, 2-component grip, with non-slip grip

## Your advantages

- VDE approval

## Commercial Data

Item number	1212700
Packing unit	1 pc
Minimum order quantity	1 pc
Sales Key	B14
Product Key	BH3146
Catalog Page	Page 447 (C-3-2019)
GTIN	4046356716635
Weight per Piece (including packing)	91.04 g
Weight per Piece (excluding packing)	91.04 g
Customs tariff number	82054000
Country of origin	CZ

# Screwdriver - SF-PZSL 2-100 S-VDE



1212700

<https://www.phoenixcontact.com/us/products/1212700>

## Technical Data

### Notes

#### Environmental Product Compliance

California Proposition 65

Further information on California's prop. 65 is available under "Downloads" in the manufacturer's declaration

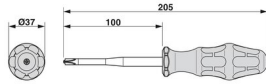
### Product properties

Type	Phillips
Product type	Screwdriver tools
Type	straight

### Connection data

Output	Pozidrive/plus/minus
--------	----------------------

### Dimensions

Dimensional drawing	
Width	37 mm
Blade width	6 mm
Blade height	100 mm
Length	205 mm
Wrench size	0 mm

### Material specifications

Material	alloyed tool steel
----------	--------------------

### Mounting

Wrench size	0 mm
-------------	------

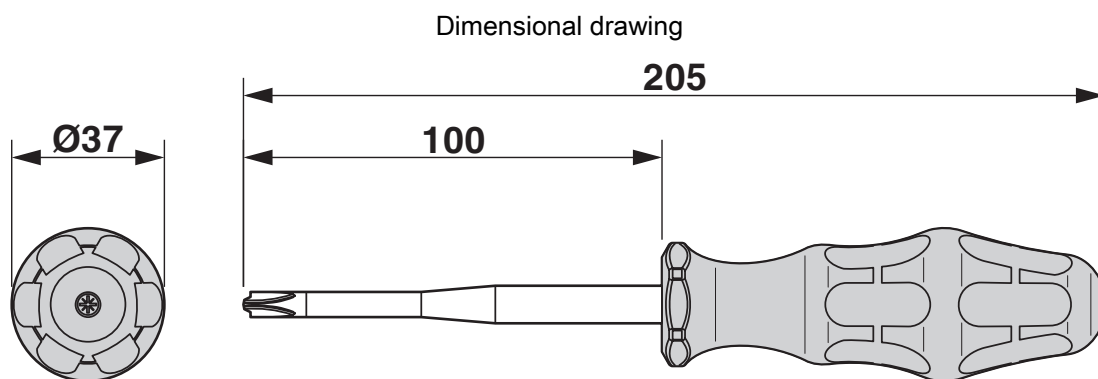
# Screwdriver - SF-PZSL 2-100 S-VDE



1212700

<https://www.phoenixcontact.com/us/products/1212700>

## Drawings



# Screwdriver - SF-PZSL 2-100 S-VDE



1212700

<https://www.phoenixcontact.com/us/products/1212700>

## Approvals



**EAC**

Approval ID: RU C-DE.AI30.B.01750



**VDE Zeichengenehmigung**

Approval ID: 40032921

# Screwdriver - SF-PZSL 2-100 S-VDE



1212700

<https://www.phoenixcontact.com/us/products/1212700>

## Classifications

### ECLASS

ECLASS-9.0	21040406
ECLASS-10.0.1	21040406
ECLASS-11.0	21040406

### ETIM

ETIM 8.0	EC000144
----------	----------

### UNSPSC

UNSPSC 21.0	27111700
-------------	----------

Phoenix Contact 2022 © - all rights reserved  
<https://www.phoenixcontact.com>

Phoenix Contact USA  
586 Fulling Mill Road  
Middletown, PA 17057, United States  
(+717) 944-1300  
[info@phoenixcon.com](mailto:info@phoenixcon.com)